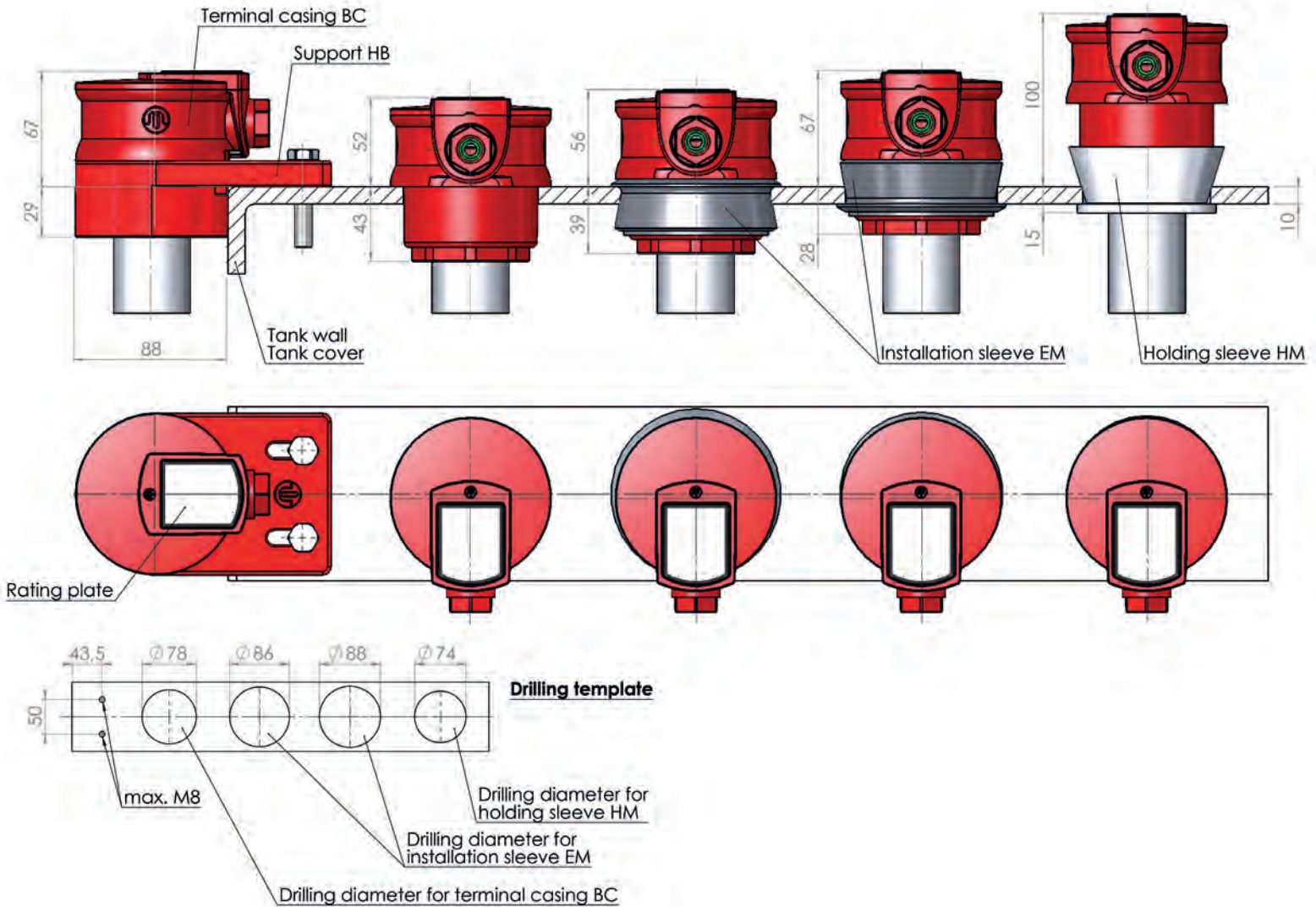
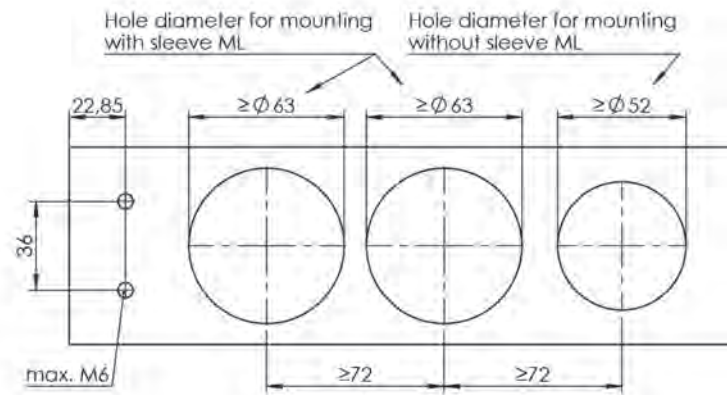
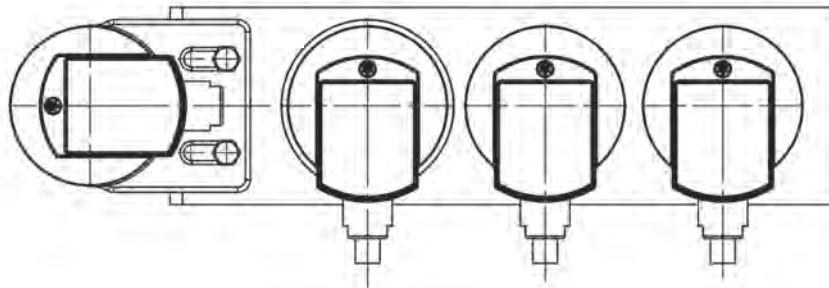
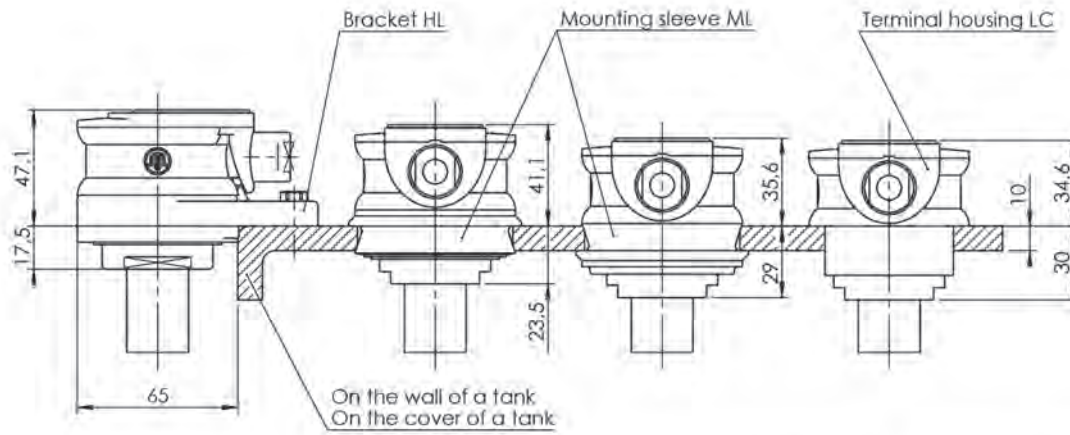


# FIXING SYSTEMS FOR BOXES MODEL BC



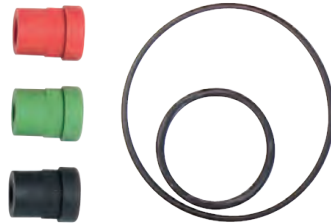
# FIXING SYSTEMS FOR BOXES MODEL LC



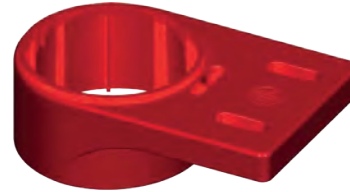
## ACCESSORIES FOR PRODUCTS WITH LARGE BC AND BC/L TERMINAL CASINGS



180.X.000010 - BC terminal casing  
Material: PP  
180.X.000020 BC/L terminal casing  
Material: PVDF



180.X.000030 - Gasket set for BC and BC/L boxes  
O-rings, sealing inserts



180.X.000060 - HB support  
material: PP  
180.X.000070 - HB support  
material: PVDF - To be attached inside the vessel



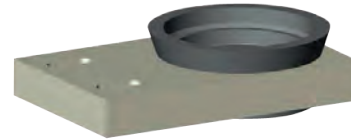
180.X.000080 - HWB support  
material: PP  
180.X.000090 - HWB/L support,  
material: PVDF - For fixing long sensors and angular heaters



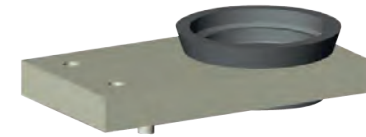
180.X.000040 - EM sleeve  
For mounting with a minimal footprint in supports or supporting cross bars.  
Hole diameter: 87 mm - 90 mm.  
Material: EPDM



180.X.000050 - HM sleeve  
For fixing on supporting cross bars at high liquid temperature levels ( $> 60^{\circ}\text{C}$ ) or strong vaporisation at the bottom of the box. Hole diameter: 70 mm - 76 mm.  
Material: EPDM



180.X.000100 - SHB sleeve  
with HM sleeve for fixing heaters with an immersion tube length  $> 800$  mm.  
Support material: PP  
Sleeve material: EPDM



180.X.000110 - THB sleeve  
with HM sleeve for fixing heaters with anti-fire system.  
Support material: PP  
Sleeve material: EPDM



180.X.000120 - SRF protective tube with welded support and inserted sleeve, protects fragile immersion tubes (porcelain, glass, PTFE) against mechanical damages and allows a safe attachment inside the vessel even for very long immersion tubes, up to 2000 mm. Material of the protective and supporting tube: PP Sleeve material: EPDM



180.X.000130 - SB key  
It is used to open and close the cover of the BC box, but also to disassemble the threaded ring and screw the cable connection. Material: Grivory GVN

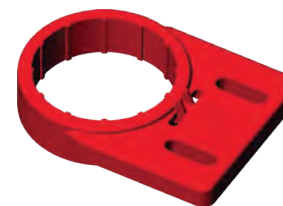
## ACCESSORIES FOR PRODUCTS WITH SMALL LC AND LC/L TERMINAL CASINGS



180.X.000200 - LC terminal casing  
Material: PP  
180.X.000210 - LC/L terminal casing  
Material: PVDF



180.X.000220 - Gasket set for LC and LC/L boxes  
O-rings, sealing inserts



180.X.000240 - HL support, material: PP  
180.X.000250 - HH/L support  
material: PVDF.  
It screws to the edge of the vessel.



180.X.000260 - HWL support  
material: PP  
180.X.000270 - HWL/L support  
material: PVDF  
For fixing long sensors.



180.X.000230 - ML sleeve  
Mounted with the slightest footprint in the covers or supporting cross bars of vessels, hole diameter: 63 mm.  
Material: EPDM



180.X.000280 - SL key  
It is used to open and close the cover of the LC box, and also to screw the cable connection.  
Material: Grivory GVN

### EMPLOYMENT ADVICE

For all products with a box attached to the edge of the vessel, care should be taken to avoid the box immersion in the process liquid or a strong vaporisation thereof. Direct vaporisation at the bottom of the box must be prevented using suitable mounting measures (e.g., HM sleeve, flange).

### SUPPORT

Each process liquid has its own specific needs as regards the materials of our products. Therefore, we have drawn up a list with the resistance of the materials that are frequently used in the most commonly used process liquids. For an efficient programming of heating in your container or system, we offer you our computerised calculation for heat requirements. Take advantage of this service to optimally program the use of the appliance.

