

TUBULAR ELECTRIC HEATERS FOR H2O

1 "U" ELEMENT • Ø 8 • IP40
1 "U" ELEM. • Ø 8 • FOLDED • IP40

- 3/4" gas, 1" gas, 1"1/4 gas, 1"1/2 gas Brass connection
- Aisi 321 sheath
- Element diameter: 8
- 1 x 230V element with IP40 protection (except 3/4")

AVAILABLE ON REQUEST

SHEATH: Aisi 316 • Incoloy 800

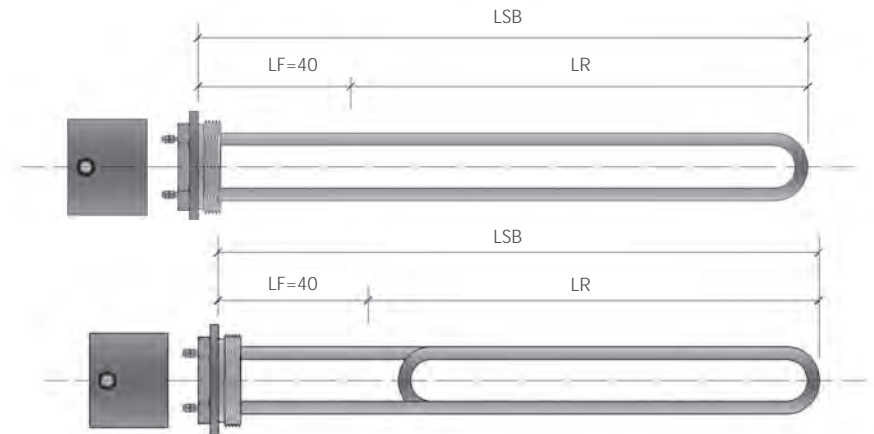
CONNECTION: Stainless steel

PROTECTION: IP55 • IP65

IMPORTANT

The heating length (HL) must be fully immersed.

The available size (LSB) must take dilatation into account.



AISI 321				
Lsb./mm	W	Ø	3/4" (NO IP)	1" IP40
200	500	8	111.X.000010	111.X.000090
250	800	8	111.X.000020	111.X.000100
350	1000	8	111.X.000030	111.X.000110
350	1200	8	111.X.000040	111.X.000120
400	1500	8	111.X.000050	111.X.000130
500	2000	8	111.X.000060	111.X.000140
550	2500	8	111.X.000070	111.X.000150
600	3000	8	111.X.000080	111.X.000160
180 Rip	800	8		111.X.000170
200 Rip	1000	8	-	111.X.000180
200 Rip	1200	8	-	111.X.000190
230 Rip	1500	8	-	111.X.000200
250 Rip	2000	8	-	111.X.000210
300 Rip	2500	8	-	111.X.000220
350 Rip	3000	8	-	111.X.000230

AISI 321				
Lsb./mm	W	Ø	1" 1/4 IP40	1" 1/2 IP40
200	500	8	111.X.000470	111.X.000620
300	800	8	111.X.000480	111.X.000630
350	1000	8	111.X.000490	111.X.000640
350	1200	8	111.X.000500	111.X.000650
400	1500	8	111.X.000510	111.X.000660
500	2000	8	111.X.000520	111.X.000670
550	2500	8	111.X.000530	111.X.000680
600	3000	8	111.X.000540	111.X.000690
180 Rip	800	8	111.X.000550	111.X.000700
200 Rip	1000	8	111.X.000560	111.X.000710
200 Rip	1200	8	111.X.000570	111.X.000720
230 Rip	1500	8	111.X.000580	111.X.000730
280 Rip	2000	8	111.X.000590	111.X.000740
320 Rip	2500	8	111.X.000600	111.X.000750
350 Rip	3000	8	111.X.000610	111.X.000760

TUBULAR ELECTRIC HEATERS FOR H2O

3 "U" ELEMENTS • Ø 8 • IP40-IP55

- 1"1/4" gas, 1"1/2 gas brass connection
- Aisi 321 sheath
- Element diameter: 8
- 3 x 230/400V elements with IP40 - IP55 protection

AVAILABLE ON REQUEST

SHEATH: Aisi 316 • Incoloy 800

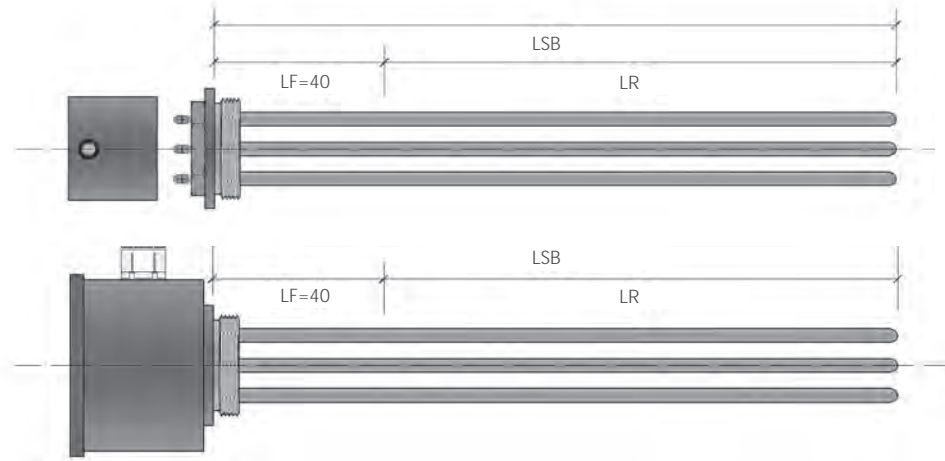
CONNECTION: Stainless steel • Double

PROTECTION: IP55 • IP65 • IP65 with thermostat

IMPORTANT

The heating length (HL) must be fully immersed.

The available size (LSB) must take dilatation into account.



AISI 321				
Lsb./mm	W	Ø	1" 1/4 IP40	1" 1/2 IP40
200	1000	8	111.X.002170	111.X.002260
200	1200	8	111.X.002180	111.X.002270
200	1500	8	111.X.002190	111.X.002280
300	2000	8	111.X.002200	111.X.002290
350	2500	8	111.X.002210	111.X.002300
350	3000	8	111.X.002220	111.X.002310
400	4000	8	111.X.002230	111.X.002320
400	5000	8	111.X.002240	111.X.002330
500	6000	8	111.X.002250	111.X.002340

AISI 321				
Lsb./mm	W	Ø	1" 1/4 IP55	1" 1/2 IP55
200	1000	8	111.X.003170	111.X.003260
200	1200	8	111.X.003180	111.X.003270
200	1500	8	111.X.003190	111.X.003280
300	2000	8	111.X.003200	111.X.003290
350	2500	8	111.X.003210	111.X.003300
350	3000	8	111.X.003220	111.X.003310
400	4000	8	111.X.003230	111.X.003320
400	5000	8	111.X.003240	111.X.003330
500	6000	8	111.X.003250	111.X.003340



TUBULAR ELECTRIC HEATERS FOR H2O

- 2" gas, 2"1/2 gas brass connection
- Aisi 321 sheath
- Element diameter: 8 - 10 - 12 - 16
- 3 x 230/400V elements with IP40 - IP55 protection

AVAILABLE ON REQUEST

SHEATH: Aisi 316 • Incoloy 800

CONNECTION: Stainless steel • Double

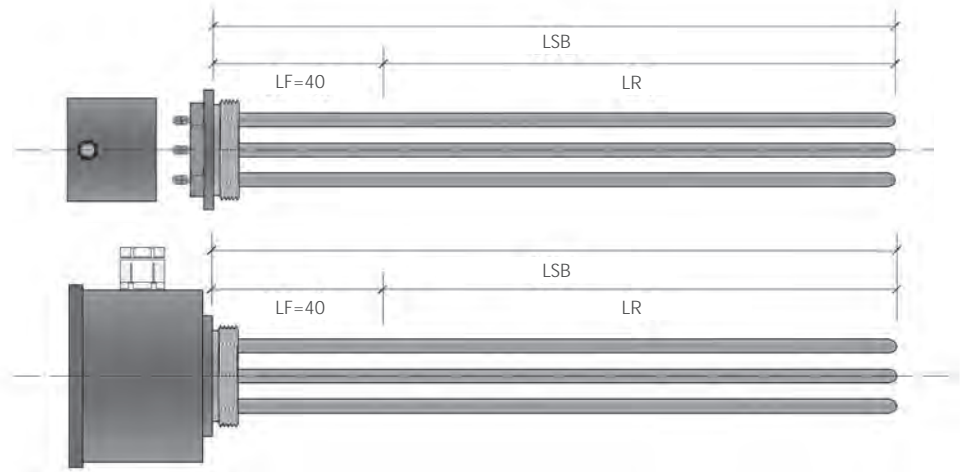
PROTECTION: IP55 • IP65 • IP65 with thermostat

IMPORTANT

The heating length (HL) must be fully immersed.

The available size (LSB) must take dilatation into account.

3 "U" ELEMENTS • Ø 8-10-12-16 • IP40-IP55



AISI 321				
Lsb./mm	W	Ø	2" IP40	2" 1/2 IP40
200	1000	8	111.X.002530	111.X.002680
200	1200	8	111.X.002540	111.X.002690
200	1500	8	111.X.002550	111.X.002700
300	2000	8	111.X.002560	111.X.002710
350	2500	8	111.X.002570	111.X.002720
350	3000	8	111.X.002580	111.X.002730
400	4000	8	111.X.002590	111.X.002740
400	5000	8	111.X.002600	111.X.002750
500	6000	8	111.X.002610	111.X.002760
400	7000	10	111.X.002620	111.X.002770
450	8000	10	111.X.002630	111.X.002780
500	9000	10	111.X.002640	111.X.002790
600	10000	12	111.X.002650	111.X.002800
700	12000	12	111.X.002660	111.X.002810
800	14000	12	111.X.002670	111.X.002820
900	16000	16	-	111.X.002830
1000	20000	16	-	111.X.002840

AISI 321				
Lsb./mm	W	Ø	2" IP55	2" 1/2 IP55
200	1000	8	111.X.003530	111.X.003680
200	1200	8	111.X.003540	111.X.003690
200	1500	8	111.X.003550	111.X.003700
300	2000	8	111.X.003560	111.X.003710
350	2500	8	111.X.003570	111.X.003720
350	3000	8	111.X.003580	111.X.003730
400	4000	8	111.X.003590	111.X.003740
400	5000	8	111.X.003600	111.X.003750
500	6000	8	111.X.003610	111.X.003760
400	7000	10	111.X.003620	111.X.003770
450	8000	10	111.X.003630	111.X.003780
500	9000	10	111.X.003640	111.X.003790
600	10000	12	111.X.003650	111.X.003800
700	12000	12	111.X.003660	111.X.003810
800	14000	12	111.X.003670	111.X.003820
900	16000	16	-	111.X.003830
1000	20000	16	-	111.X.003840

TUBULAR ELECTRIC HEATERS FOR H2O

3 BENDING ELEM. • Ø 8 • IP40-IP55

- 2"gas, 2"1/2 gas brass connection
- 2"gas, 2"1/2 gas brass connection
- Element diameter: 8, folded, with bending
- 3 x 230/400V elements with IP40-IP55 protection

AVAILABLE ON REQUEST

SHEATH: Aisi 316 • Incoloy 800

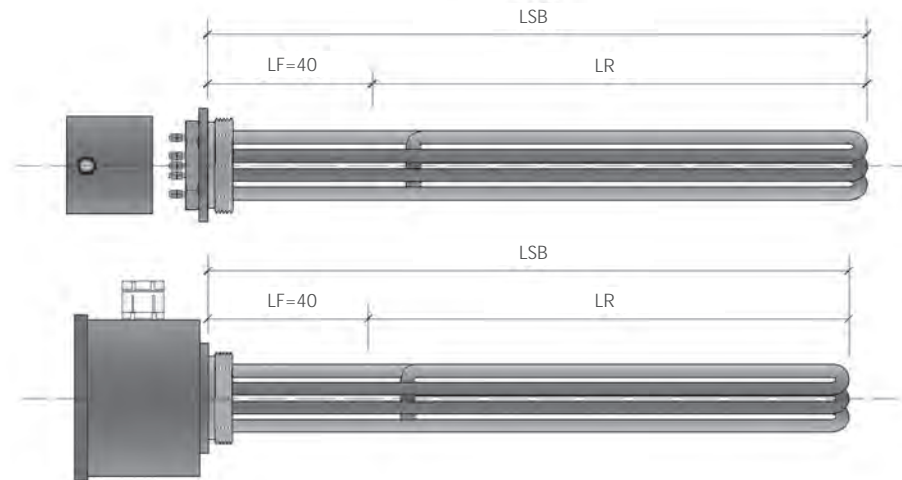
CONNECTION: Stainless steel • Double

PROTECTION: IP55 • IP65 • IP65 with thermostat

IMPORTANT

The heating length (HL) must be fully immersed.

The available size (LSB) must take dilatation into account.



AISI 321				
Lsb./mm	W	Ø	2" - IP40	2" 1/2 - IP40
135	2000	8		111.X.010090
140	2100	8	111.X.010000	
150	2500	8		111.X.010100
170	3000	8	111.X.010010	111.X.010110
190	3500	8		111.X.010120
210	3900	8	111.X.010020	
210	4000	8		111.X.010130
230	4500	8	111.X.010030	
245	5000	8		111.X.010140
250	5100	8	111.X.010040	
280	6000	8	111.X.010050	111.X.010150
340	7500	8	111.X.010060	
360	8000	8		111.X.010160
400	9000	8	111.X.010070	
435	10000	8		111.X.010170
510	12000	8	111.X.010080	111.X.010180

AISI 321				
Lsb./mm	W	Ø	2" - IP55	2" 1/2 - IP55
135	2000	8		111.X.010280
140	2100	8	111.X.010190	
150	2500	8		111.X.010290
170	3000	8	111.X.010200	111.X.010300
190	3500	8		111.X.010310
210	3900	8	111.X.010210	
210	4000	8		111.X.010320
230	4500	8	111.X.010220	
245	5000	8		111.X.010330
250	5100	8	111.X.010230	
280	6000	8	111.X.010240	111.X.010340
340	7500	8	111.X.010250	
360	8000	8		111.X.010350
400	9000	8	111.X.010260	
435	10000	8		111.X.010360
510	12000	8	111.X.010270	111.X.010370



TUBULAR ELECTRIC HEATERS FOR H2O

3 "U" ELEMENTS • Ø 8 • IP54
COMPLETE WITH THREE-PHASE THERMOSTATS

- 1"1/4 gas, 1"1/2 gas double threaded brass connection
- Aisi 321 sheath
- Element diameter: 8
- 3 x 230/400V elements with IP54 protection
- Three-phase thermostat 20-110°C
40-220°C already wired to the elements

AVAILABLE ON REQUEST

SHEATH:

- Aisi 316
- Incoloy 800

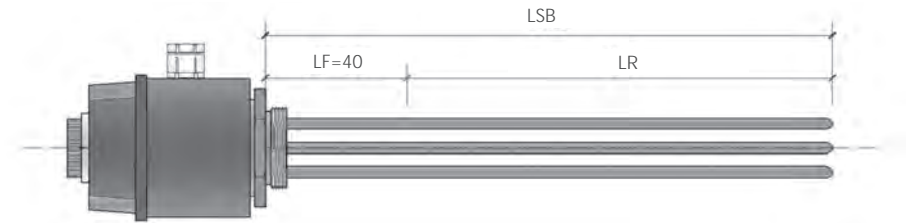
CONNECTION:

Stainless steel

IMPORTANT

The heating length (HL) must be fully immersed.

The available size (LSB) must take dilatation into account.



AISI 321						
Lsb./mm	W	Ø	1" 1/4	1" 1/2	2"	2" 1/2
200	1000	8	111.X.004170	111.X.004260	111.X.004530	111.X.004620
200	1200	8	111.X.004180	111.X.004270	111.X.004540	111.X.004630
200	1500	8	111.X.004190	111.X.004280	111.X.004550	111.X.004640
300	2000	8	111.X.004200	111.X.004290	111.X.004560	111.X.004650
350	2500	8	111.X.004210	111.X.004300	111.X.004570	111.X.004660
350	3000	8	111.X.004220	111.X.004310	111.X.004580	111.X.004670
400	4000	8	111.X.004230	111.X.004320	111.X.004590	111.X.004680
400	5000	8	111.X.004240	111.X.004330	111.X.004600	111.X.004690
500	6000	8	111.X.004250	111.X.004340	111.X.004610	111.X.004700

TUBULAR ELECTRIC HEATERS FOR H2O

3 "U" ELEMENTS • Ø 8-10 • IP66
COMPLETE WITH LONG CABLES. 1000mm.

- 1"1/4 gas, 1"1/2 gas
2"gas brass connection
- Aisi 321 sheath
- Element diameter: 8 - 10
- 3 x 230/400V elements
with IP66 protection

AVAILABLE ON REQUEST

SHEATH:

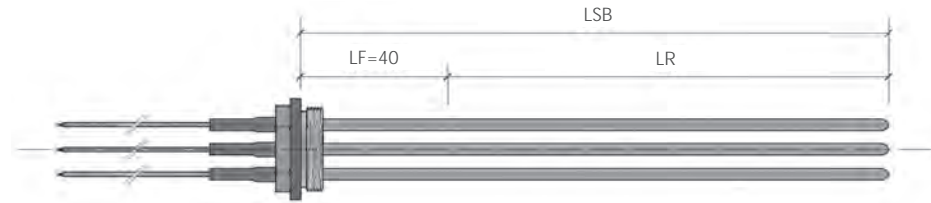
- Aisi 316
- Incoloy 800

CONNECTION:

Stainless steel

IMPORTANT

The heating length (HL)
must be fully immersed.
The available size (LSB)
must take dilatation
into account.

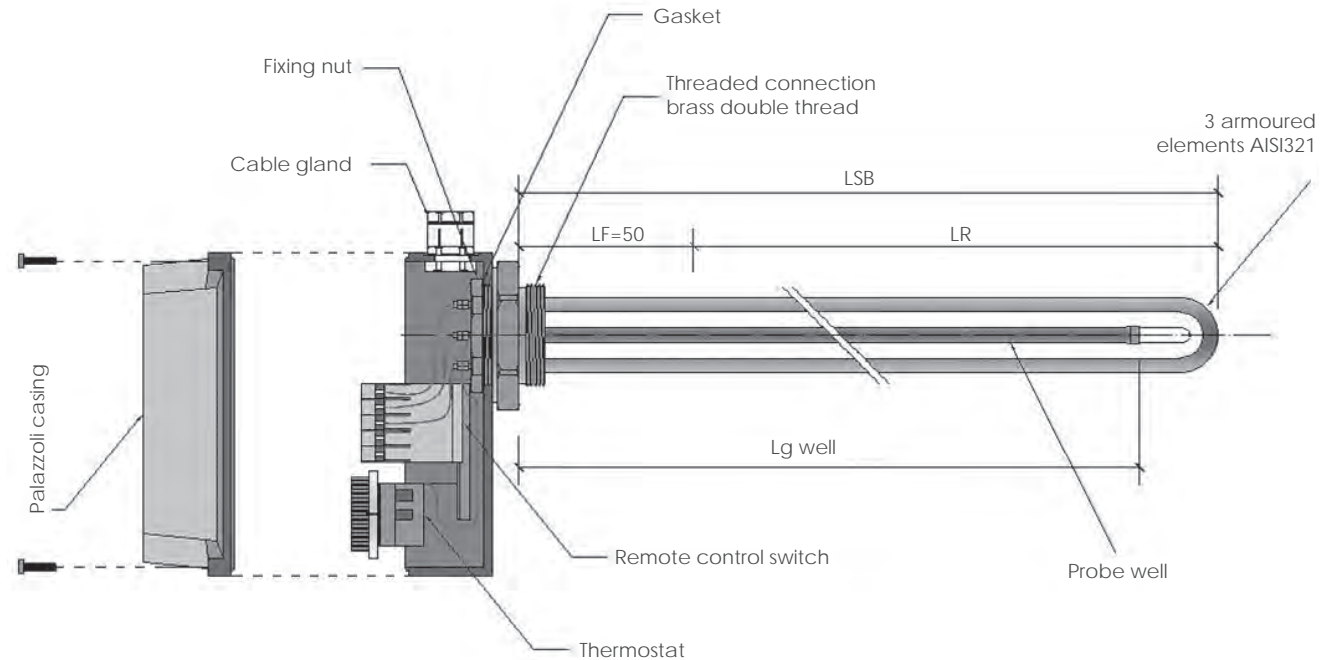


AISI 321					
Lsb./mm	W	Ø	1" 1/4	1" 1/2	2"
200	1000	8	111.X.004890	111.X.004980	111.X.005070
200	1200	8	111.X.004900	111.X.004990	111.X.005080
200	1500	8	111.X.004910	111.X.005000	111.X.005090
300	2000	8	111.X.004920	111.X.005010	111.X.005100
350	2500	8	111.X.004930	111.X.005020	111.X.005110
350	3000	8	111.X.004940	111.X.005030	111.X.005120
400	4000	8	111.X.004950	111.X.005040	111.X.005130
400	5000	8	111.X.004960	111.X.005050	111.X.005140
500	6000	8	111.X.004970	111.X.005060	111.X.005150
400	7000	10	-	-	111.X.005160
450	8000	10	-	-	111.X.005170



ELECTRIC HEATERS WITH THERMOSTAT AND REMOTE CONTROL SWITCH FOR H2O

- 1" 1/4 gas or 2" gas brass connection
- Aisi 321 sheath
- Element diameter: "10"
- 3 x 230/400V elements
- Built-in thermostat and remote control switch
- IP65 Palazzoli casing
- Thermostat calibrated at 30-90°C or as requested



RESISTOR WITH REMOTE CONTROL SWITCH

L./mm	W	V	Thermostat and remote control switch	Connection	Casing	Code
300	1000	230/400	Yes	1"1/4	IP65	111.X.006960
300	2000	230/400	Yes	2"	IP65	111.X.006970
500	3000	230/400	Yes	2"	IP65	111.X.006980
600	4000	230/400	Yes	2"	IP65	111.X.006990
700	5000	230/400	Yes	2"	IP65	111.X.007000
900	7500	230/400	Yes	2"	IP65	111.X.007010